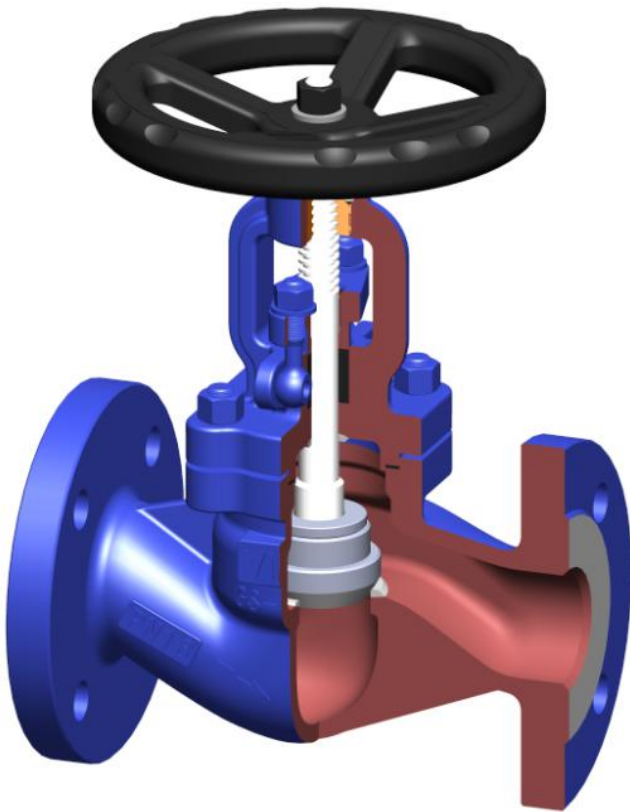


## GLOBE VALVE



Body material	Nominal pressure	Nominal diameter	Max temperature
GS-C25 (1.0619)	16 bar 25 bar 40 bar	DN 15-400	400°C
CF8 (1.4308)	16 bar 25 bar 40 bar	DN 15-400	350°C
CF8M (1.4408)	16 bar 25 bar 40 bar	DN 15-400	350°C

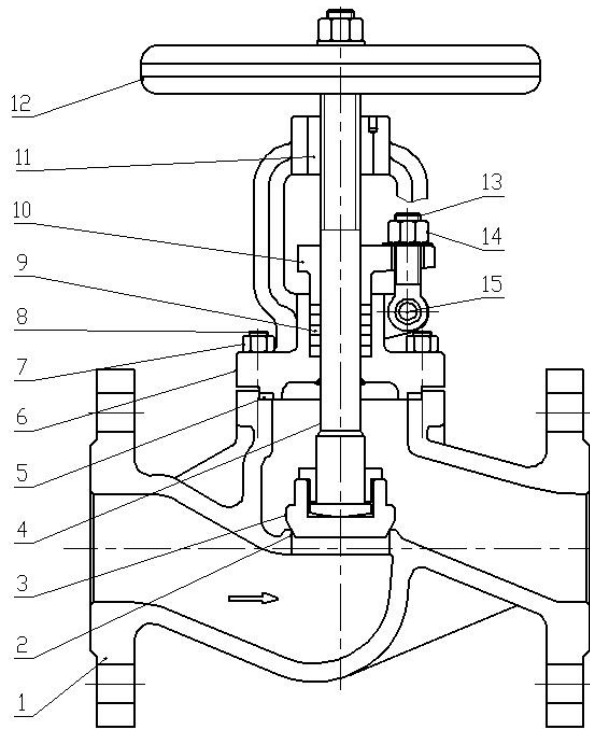
### FEATURES

- High tightness
- Compact settlement
- Environment-friendly
- Test acc.EN-12266-1
- Flanges drilled according to EN-1092-1
- Face-to-face dimension according to EN 588-1

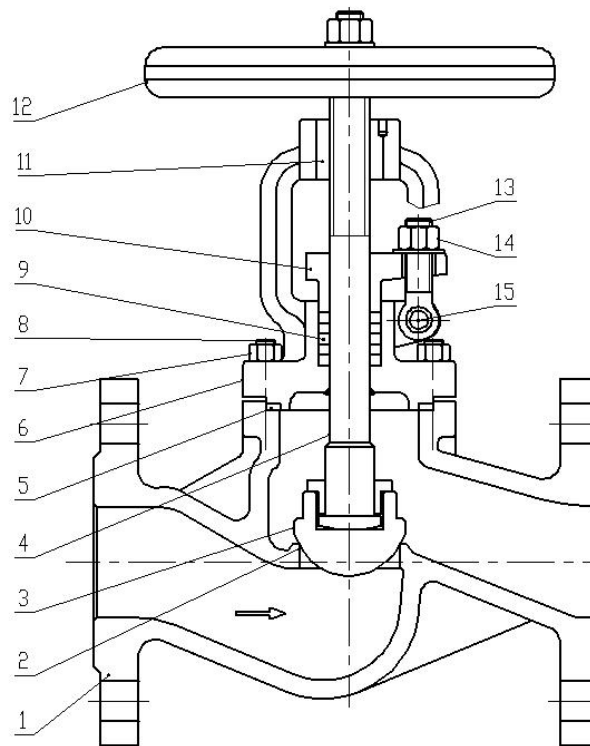
### APPLICATION

- Steam System
- Thermal Oil System
- Hot and cold water

## MATERIALS



Conical disc

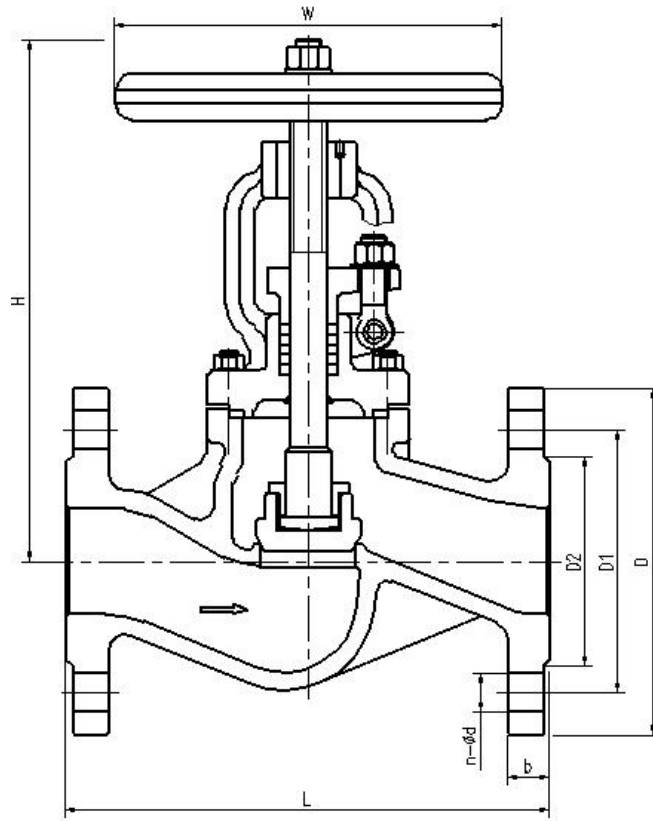


Throttle disc

## MATERIALS

No.	Part Name	Part Material		
1	Body	GS-C25/ 1.0619	CF8/ 1.4308	CF8M/ 1.4408
2	Seat	X20Cr13/ 1.4021	CF8/ 1.4308	CF8M/ 1.4408
3	Disc	X20Cr13/ 1.4021	F304/ 1.4301+STL	F316/ 1.4401+STL
4	Stem	X20Cr13/ 1.4021	F304/ 1.4301	F316/ 1.4401
5	Gasket	Graphite+SS304	Graphite+SS304	Graphite+SS316
6	Bonnet	GS-C25/ 1.0619	CF8/ 1.4308	CF8M/ 1.4408
7	Bolt	A193-B7	A193-B8	A193-B8M
8	Nut	A194-2H	A194-8	A194-8M
9	Packing	Graphite	Graphite	Graphite
10	Gland	GS-C25/ 1.0619	CF8/ 1.4308	CF8M/ 1.4408
11	Stem nut	1045/ 1C45	Copper	Copper
12	Handwheel	C.S	C.S	C.S
13	Eye bolt	A193-B7	A193-B8	A193-B8M
14	Nut	A194-2H	A194-8	A194-8M
15	Pin	1035/ 1C35	SS304/ 1.4301	SS304/ 1.4301
Max.temperature		400°C	350°C	350°C

## DIMENSIONS

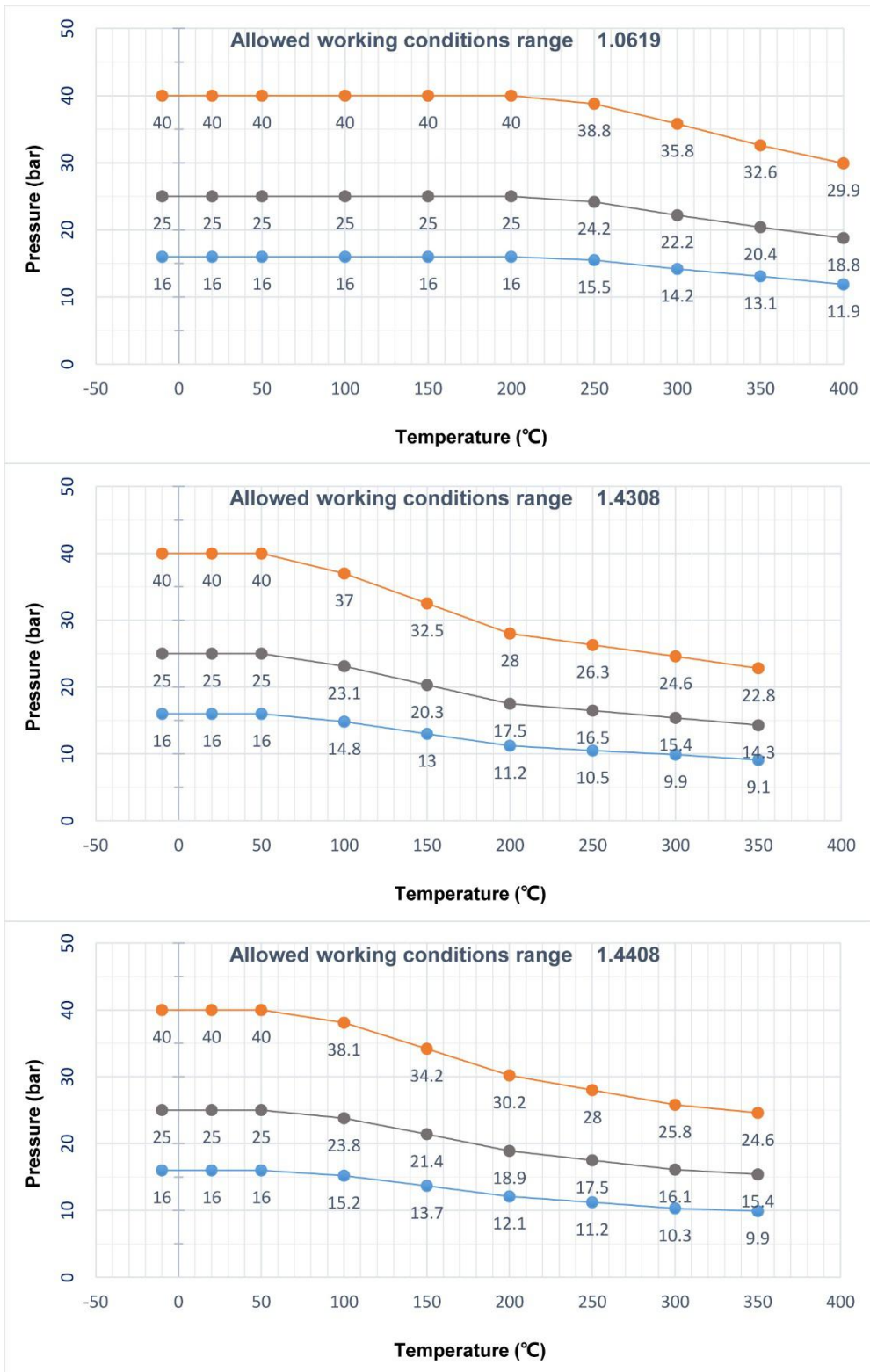


DN	PN16,25,40			PN16					PN25					PN40					DN
	L	W	H	D	D1	D2	b	n-φd	D	D1	D2	b	n-φd	D	D1	D2	b	n-φd	
15	130	140	195	95	65	45	16	4-φ14	95	65	45	16	4-φ14	95	65	45	16	4-φ14	15
20	150	140	195	105	75	58	18	4-φ14	105	75	58	18	4-φ14	105	75	58	18	4-φ14	20
25	160	160	215	115	85	68	18	4-φ14	115	85	68	18	4-φ14	115	85	68	18	4-φ14	25
32	180	160	219	140	100	78	18	4-φ18	140	100	78	18	4-φ18	140	100	78	18	4-φ18	32
40	200	180	247	150	110	88	18	4-φ18	150	110	88	18	4-φ18	150	110	88	18	4-φ18	40
50	230	200	256	165	125	102	20	4-φ18	165	125	102	20	4-φ18	165	125	102	20	4-φ18	50
65	290	220	282	185	145	122	20	4-φ18	185	145	122	22	8-φ18	185	145	122	22	8-φ18	65
80	310	250	305	200	160	138	20	8-φ18	200	160	138	24	8-φ18	200	160	138	24	8-φ18	80
100	350	300	380	220	180	158	20	8-φ18	235	190	162	24	8-φ22	235	190	162	24	8-φ22	100
125	400	350	430	250	210	188	22	8-φ18	270	220	188	26	8-φ26	270	220	188	26	8-φ26	125
150	480	400	455	285	240	212	24	8-φ22	300	250	218	28	8-φ26	300	250	218	28	8-φ26	150
200	600	450	580	340	295	268	24	12-φ22	360	310	278	30	12-φ26	375	320	285	34	12-φ30	200
250	730	550	775	405	355	320	26	12-φ26	425	370	335	32	12-φ30	450	385	345	38	12-φ33	250
300	850	600	852	460	410	378	28	12-φ26	485	430	395	34	16-φ30	515	450	410	42	16-φ33	300
350	980	700	1005	520	470	438	30	16-φ22	555	490	450	38	16-φ33	580	510	465	46	16-φ36	350
400	1100	700	1140	580	525	490	32	16-φ30	620	550	505	40	16-φ36	660	585	535	50	16-φ39	400

Data given can be changed without notice

Edition 10/2017

## PRESSURE-TEMPERATURE RATINGS



## MORE FUNCTION OPTIONS

- Conical disc
- Flat disc
- Soft disc
- Stop-check disc
- Balance type disc
- Window shape disc
- Gear operator
- Pneumatic actuator
- Electric actuator
- BW ends
- JIS connections
- ANSI connections